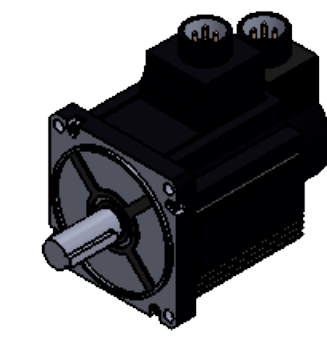
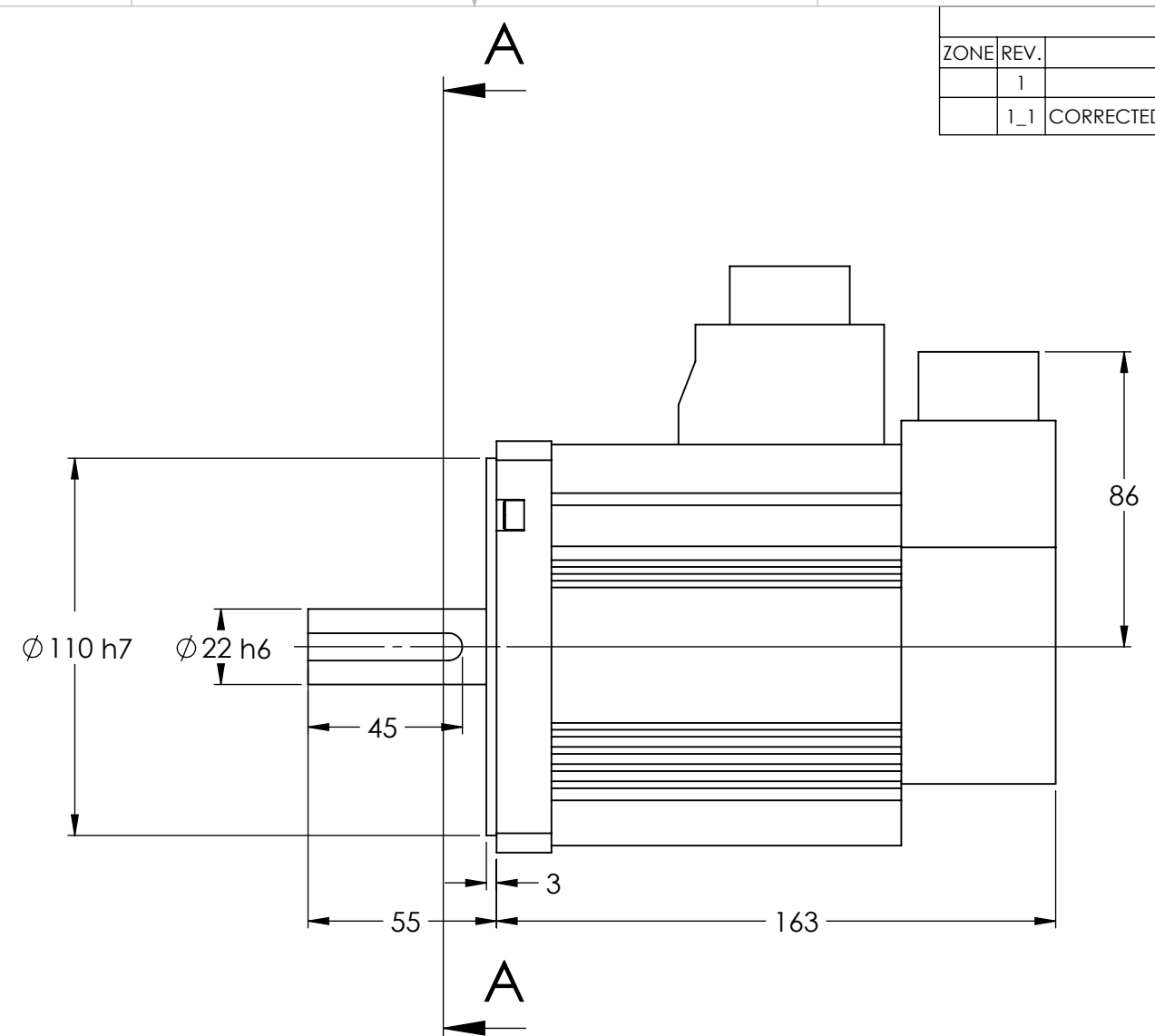
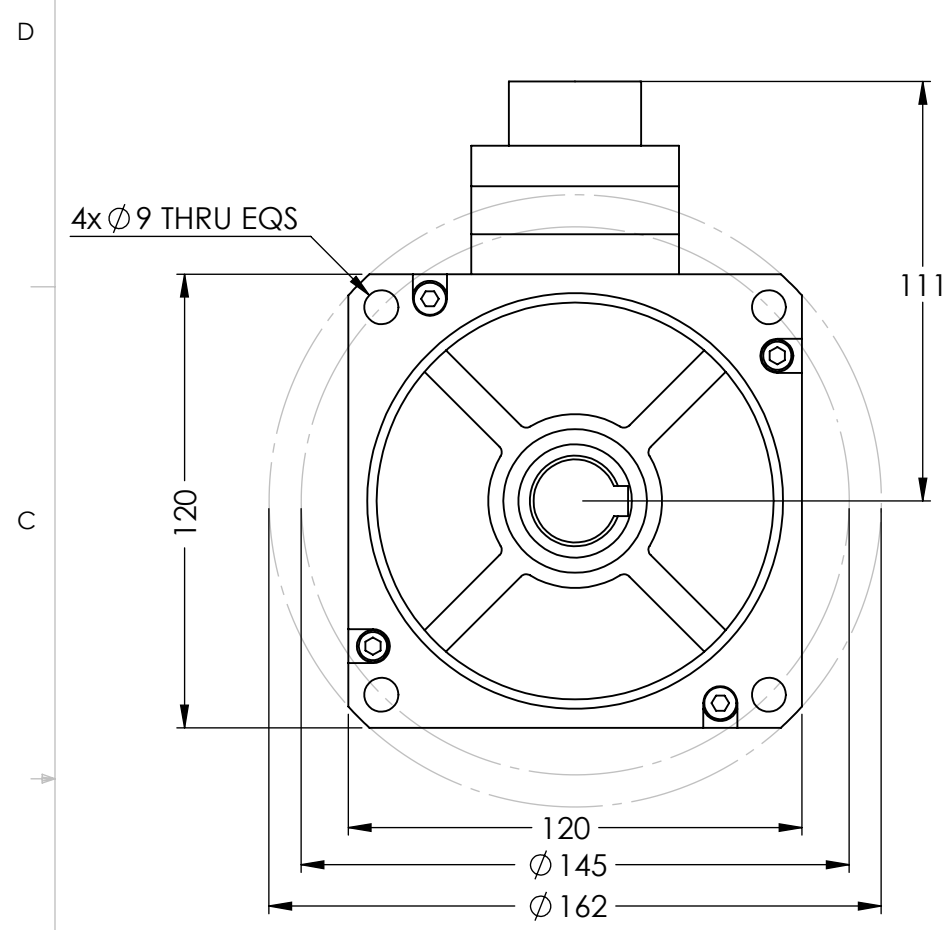
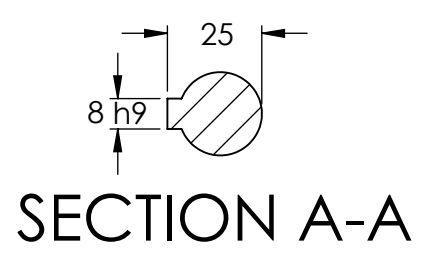


REVISIONS				
ZONE	REV.	DESCRIPTION	DATE	APPROVED
	1	CUSTOMER INFORMATIONAL	3/28/2017	RA
	1_1	CORRECTED P/N FOR MATING CONNECTORS, REV 1 IS = TO 1_1	1/16/2019	TJP



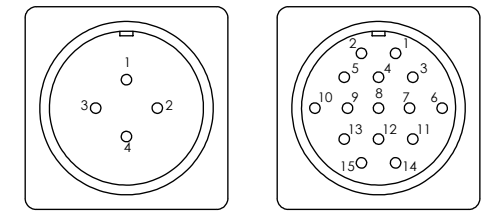
HPM120-01-200-01 Specifications

Parameter	Unit	Value
Rated Power	kW	2
Rated Voltage	V _(AC)	200
Continuous Stall Torque	Nm	6.37
Max Torque	Nm	19.1
Rated Speed/Max Speed	rpm	3000/5000
Rated Current	A _(peak)	11.9
Max Current	A _(peak)	35.7
Ke : Back EMF Constant	V _(peak) /krpm	51.6
Kt : Torque Constant	Nm/A _(peak)	0.493
Moment of Inertia	x10 ⁻⁴ kgm ²	4
Number of Poles	#	10
Mass	kg	6.6



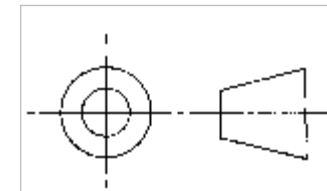
Mating connectors included

Motor Plug YD28J4Z Mates With YD28K4TSJ				
Plug Serial Number	1	2	3	4
Winding Lead Wire	U	V	W	PE



Encoder Plug YD28J15Z Mates with YDB28K15TSJ															
Plug Serial Number	2	3	4	5	6	7	8	9	10	11	12	13	14	15	1
Encoder Signal	5V	0V	A+	B+	Z+	A-	B-	Z-	U+	V+	W+	U-	V-	W-	PE

Feedback Element	Optical Encoder (2500 line)
Operating Environment	Temperature: 0-40°C; Humidity <95%RH (Free from condensing)
Storage Environment	Temperature: -20-65°C; Humidity <95%RH (Free from condensing)
Insulation	Class F (155°C Winding Temperature)
Protection Class	IP65
Duty Cycle	Continuous



UNLESS OTHERWISE SPECIFIED:
DRAWING SYMBOLS & TOLERANCES PER ANSI Y14.5
DIMENSIONS ARE METRIC
TOLERANCES:
DECIMALS LINEAR ANGULAR
.X ±0.2 ±0.5DEG
.XX ±0.02 ±0.2DEG
.XXX ±0.005 ±0.01DEG

THIS DRAWING CONTAINS PROPRIETARY INFORMATION OF THE ORBEX GROUP AND MAY NOT BE IN WHOLE OR IN PART DUPLICATED OR DISCLOSED OR USED FOR MANUFACTURE OF ANY PART DISCLOSED HEREIN WITHOUT WRITTEN PERMISSION OF THE ORBEX GROUP.
CONFIDENTIAL

INTERPRET GEOMETRIC TOLERANCING PER: ANSI Y14.5
MATERIAL
FINISH Clean
DRAWN Sun KPO 3/28/2017



TITLE:
SERVO MOTOR

SIZE	PRT. NO.	REV
B	HPM120-01-200-01	1_1
SCALE: 1:2	SHEET 1 OF 1	