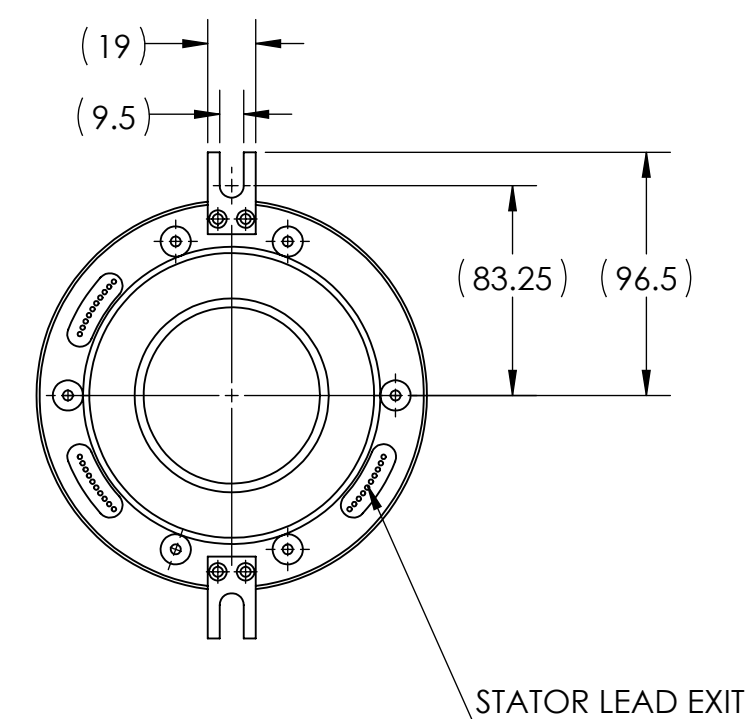
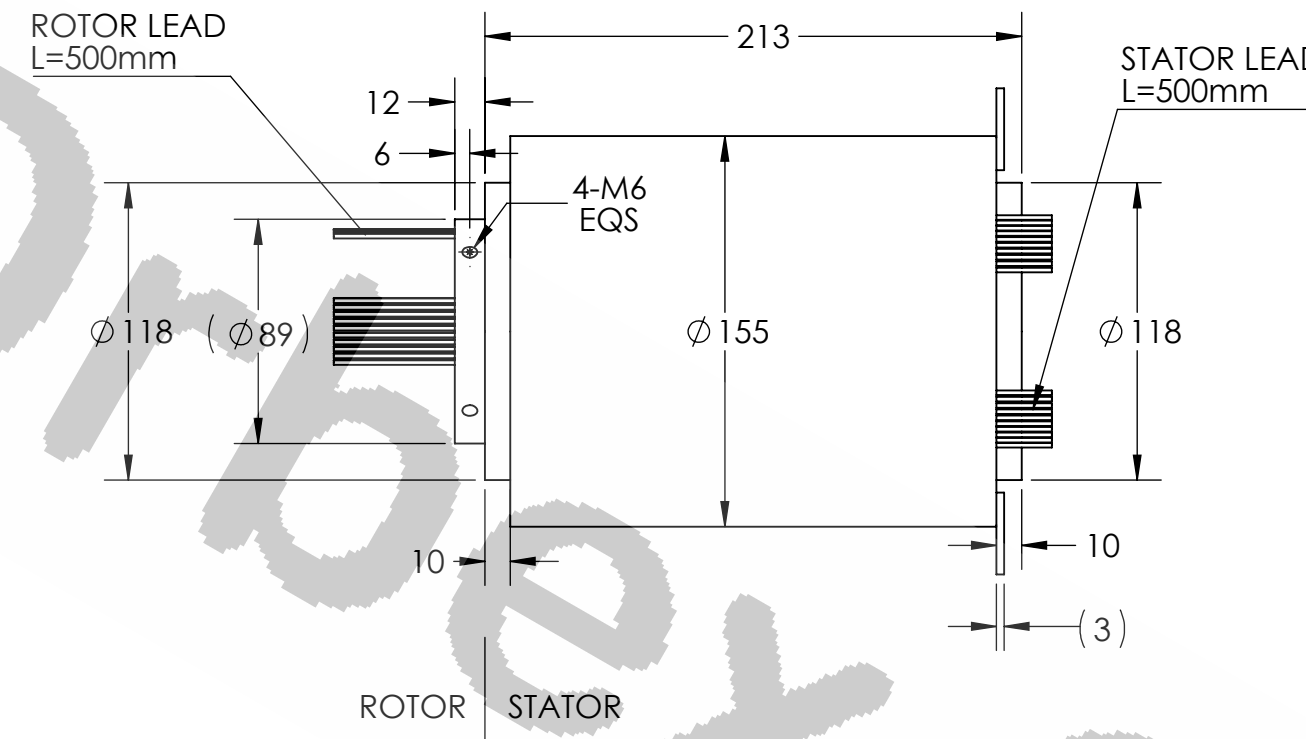
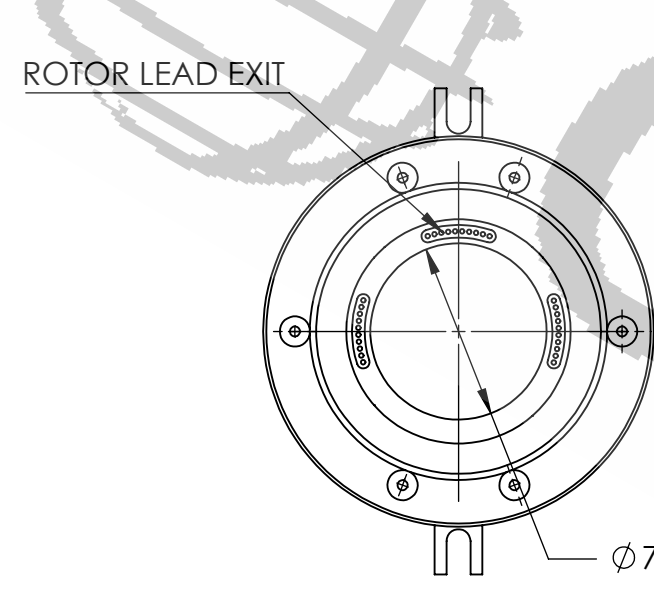
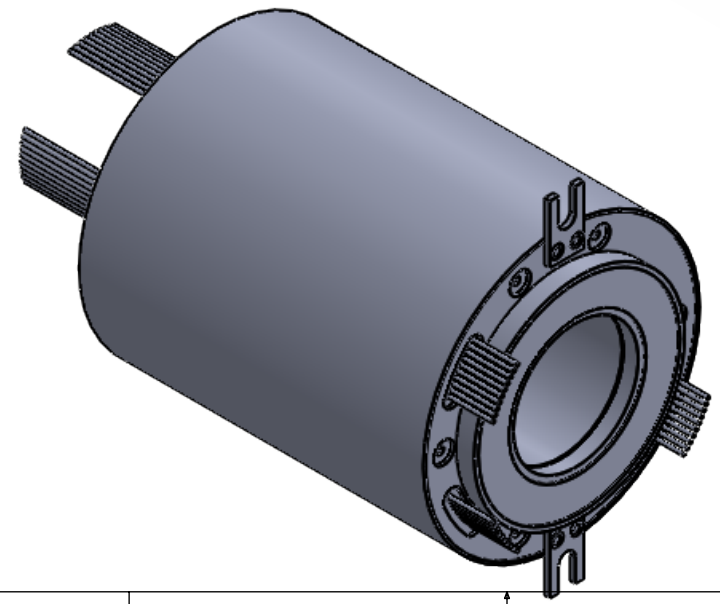


REVISIONS				
ZONE	REV.	DESCRIPTION	DATE	APPROVED
	A	CUSTOMER INFORMATIONAL	01/17/2019	RA



WIRE COLOR CODE	
1/13/25. RED	2/14/26. YELLOW
3/15/27. BLACK	4/16/28. BLUE
5/17/29. GREEN	6/18/30. WHITE
7/19. PURPLE	8/20. GRAY
9/21. BROWN	10/22. ORANGE
11/23. DARK BLUE	12/24. KHAKI



TECHNICAL DATA	
NUMBER OF CIRCUITS	30 POWER
RATED VOLTAGE	460VAC
DIELECTRIC STRENGTH	500VAC@50Hz,60s
RATED CURRENT	A= 10 A, B= 15 A, C= 20 A
NOMINAL SPEED	250 RPM
INSULATION RESISTANCE	$\geq 500 \text{ M}\Omega/500\text{VDC}$
DYNAMIC CONTACT RESISTANCE	$< 10 \text{ m}\Omega$
LEAD	TEFLON
LEAD LENGTH	500mm
TEMPERATURE	-20°C to + 80°C
BEARINGS	STAINLESS STEEL BALL BEARINGS
HOUSING	ALUMINIUM (BLACK ANODIZED) AND ENGINEERED PLASTIC
PROTECTION	IP65

UNLESS OTHERWISE SPECIFIED:
ANGLE: $\pm 0.5^\circ$

LINEAR DIMENSION:	
0.5-6	± 0.1
>6-30	± 0.2
>30-120	± 0.3
>120-400	± 0.5
>400-1000	± 0.8
>1000-2000	± 1.2
>2000-4000	± 2

MATERIAL: SEE CHART
FINISH: CLEAN
DRAWN: Sun KPO 01/17/2019

CONFIDENTIAL

Orbex Group

TITLE: **SLIP RING**

SIZE: **B** PRT. NO.: **570-0030X-F** REV: **A**

SCALE: NTS SHEET 1 OF 1