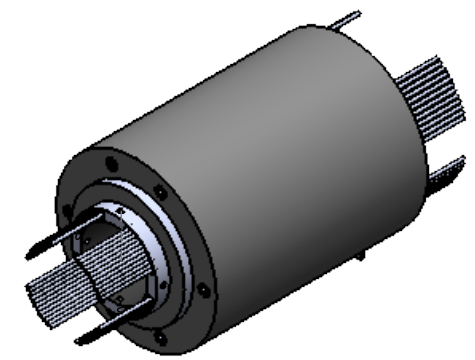
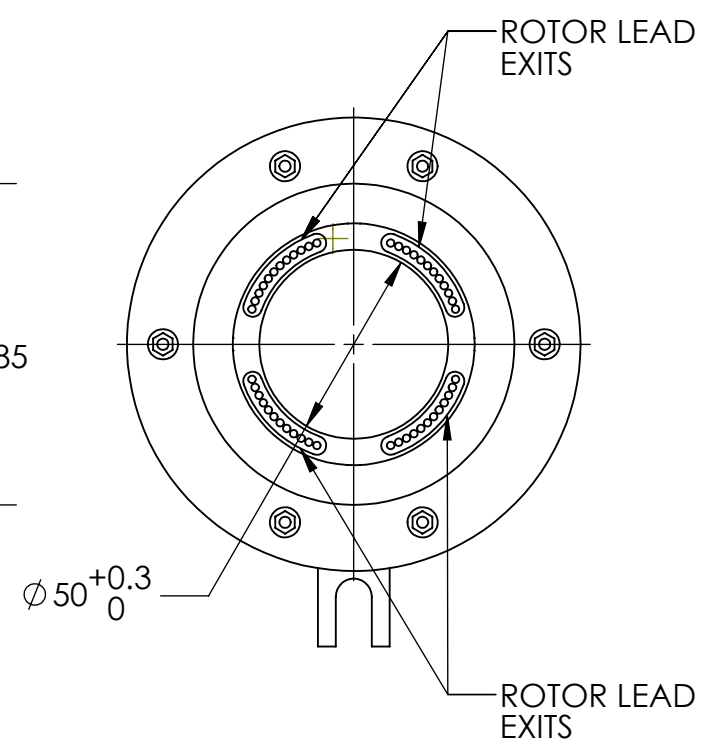
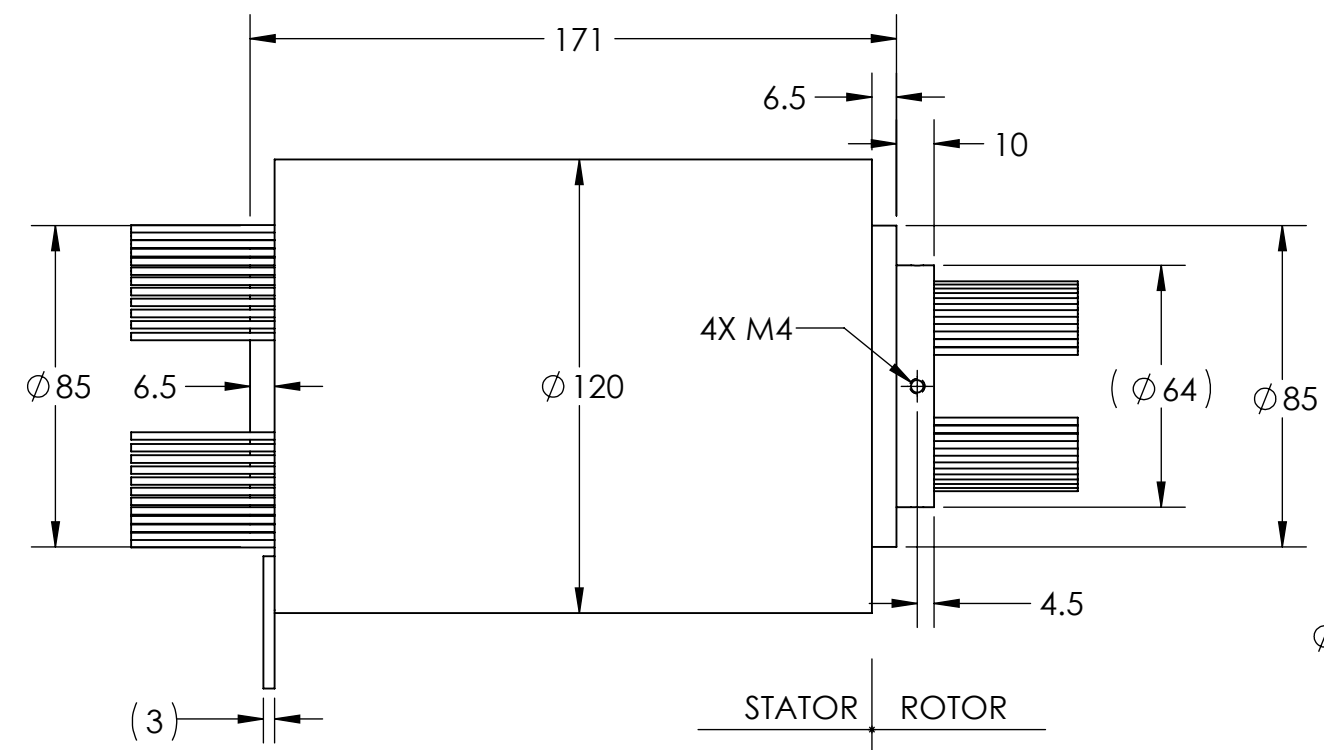
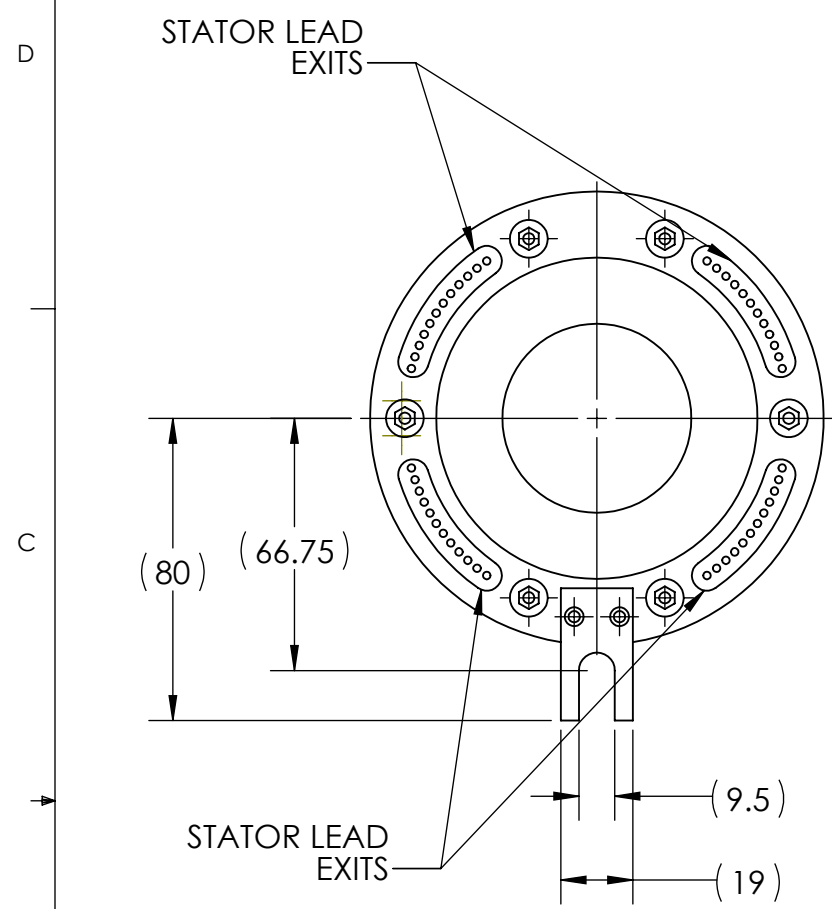


REVISIONS				
ZONE	REV.	DESCRIPTION	DATE	APPROVED
	2	CUSTOMER INFORMATIONAL	12/18/2017	RA



TECHNICAL DATA	
NUMBER OF CIRCUITS	48
RATED VOLTAGE	240 VAC/VDC
DIELECTRIC STRENGTH	500VAC@50Hz,60s
RATED CURRENT	5A
NOMINAL SPEED	250 RPM
INSULATION RESISTANCE	>500 M Ω /500VDC
DYNAMIC CONTACT RESISTANCE	<10 m Ω
LEADS	AWG 22 TEFLON
LEAD LENGTH	500mm
TEMPERATURE	-20°C to + 80°C
BEARINGS	STAINLESS STEEL BALL BEARING
HOUSING	ALUMINUM(BLACK ANODIZED)
PROTECTION	IP65

WIRE COLOR CODE	
22 AWG (48 SIGNAL CIRCUITS)	
1/13/25/37. RED	2/14/26/38. YELLOW
3/15/27/39. BLACK	4/16/28/40. BLUE
5/17/29/41. GREEN	6/18/30/42. WHITE
7/19/31/43. PURPLE	8/20/32/44. GRAY
9/21/33/45. BROWN	10/22/34/46. ORANGE
11/23/35/47. DARK BLUE	12/24/36/48. KHAKI

	UNLESS OTHERWISE SPECIFIED: ANGLE: $\pm 0.5^\circ$																
	<table border="1"> <thead> <tr> <th colspan="2">LINEAR DIMENSION</th> </tr> </thead> <tbody> <tr> <td>0.5-6</td> <td>± 0.1</td> </tr> <tr> <td>>6-30</td> <td>± 0.2</td> </tr> <tr> <td>>30-120</td> <td>± 0.3</td> </tr> <tr> <td>>120-400</td> <td>± 0.5</td> </tr> <tr> <td>>400-1000</td> <td>± 0.8</td> </tr> <tr> <td>>1000-2000</td> <td>± 1.2</td> </tr> <tr> <td>>2000-4000</td> <td>± 2</td> </tr> </tbody> </table>		LINEAR DIMENSION		0.5-6	± 0.1	>6-30	± 0.2	>30-120	± 0.3	>120-400	± 0.5	>400-1000	± 0.8	>1000-2000	± 1.2	>2000-4000
LINEAR DIMENSION																	
0.5-6	± 0.1																
>6-30	± 0.2																
>30-120	± 0.3																
>120-400	± 0.5																
>400-1000	± 0.8																
>1000-2000	± 1.2																
>2000-4000	± 2																
<small>THIS DRAWING CONTAINS PROPRIETARY INFORMATION OF THE ORBEX GROUP AND MAY NOT BE IN WHOLE OR IN PART DUPLICATED OR DISCLOSED OR USED FOR MANUFACTURE OF ANY PART DISCLOSED HEREIN WITHOUT WRITTEN PERMISSION OF THE ORBEX GROUP.</small> CONFIDENTIAL	MATERIAL: SEE CHART FINISH: CLEAN DRAWN: Sun KPO 12/18/2017	SIZE: B PRT. NO.: 550-4800-F REV: 2															
SCALE: NTS		SHEET 1 OF 1															