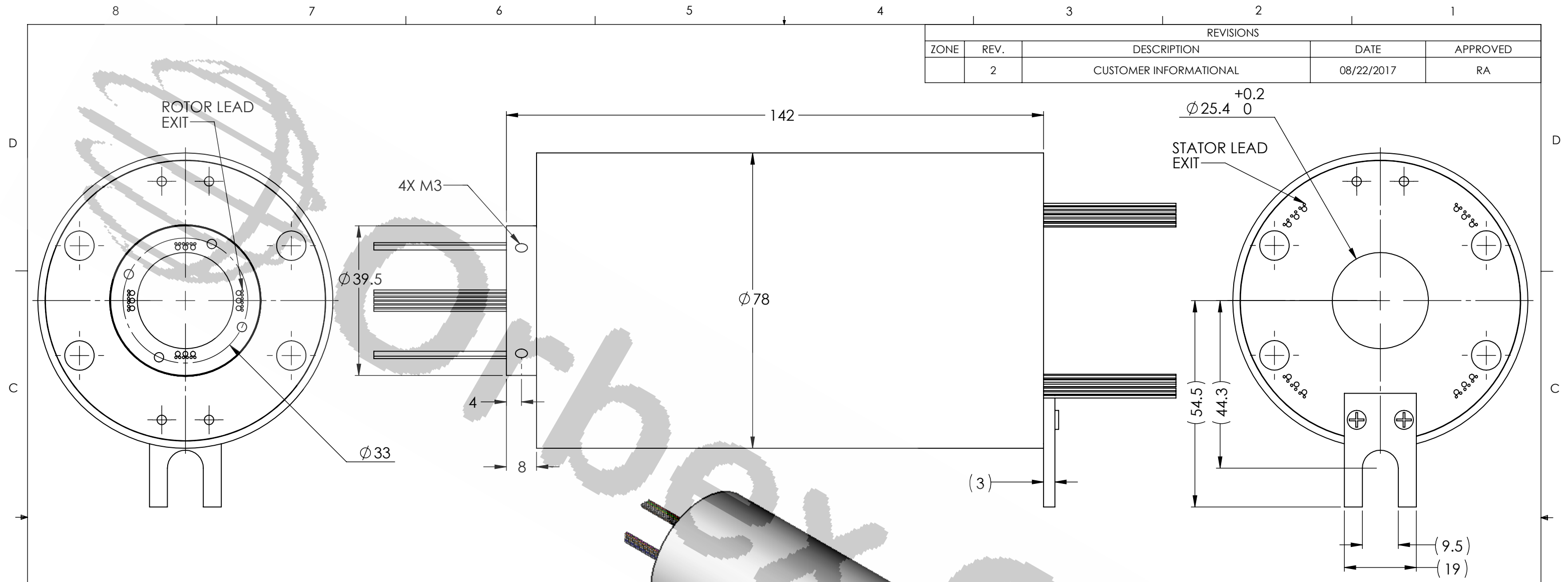


| REVISIONS |      |                        |            |          |
|-----------|------|------------------------|------------|----------|
| ZONE      | REV. | DESCRIPTION            | DATE       | APPROVED |
|           | 2    | CUSTOMER INFORMATIONAL | 08/22/2017 | RA       |



NOTE: FOR 15 AMP POWER CIRCUITS, ADD "-B" TO PART NUMBER.

| TECHNICAL DATA             |                                    |
|----------------------------|------------------------------------|
| NUMBER OF CIRCUITS         | 36 (24 Signal, 12 Power)           |
| RATED VOLTAGE              | 240 VAC Signal, 600 VAC Power      |
| DIELECTRIC STRENGTH        | 500VAC@50Hz,60s                    |
| RATED CURRENT              | 2A/RING (SIGNAL), 10A/RING (POWER) |
| NOMINAL SPEED              | 250 RPM                            |
| INSULATION RESISTANCE      | >500 MΩ/500VDC                     |
| DYNAMIC CONTACT RESISTANCE | <10 mΩ                             |
| LEADS                      | TEFLON                             |
| LEAD LENGTH                | 500mm                              |
| TEMPERATURE                | -20°C to + 80°C                    |
| BEARINGS                   | STAINLESS STEEL BALL BEARING       |
| HOUSING                    | ENGINEERED PLASTIC                 |
| PROTECTION                 | IP51                               |

| AWG 16 Power Circuit  |               |
|-----------------------|---------------|
| 1. Red                | 2. Yellow     |
| 3. Black              | 4. Blue       |
| 5. Green              | 6. White      |
| 7. Purple             | 8. Gray       |
| 9. Brown              | 10. Orange    |
| 11. Dark Blue         | 12. Khaki     |
| AWG 26 Signal Circuit |               |
| 1/13. Red             | 2/14. Yellow  |
| 3/15. Black           | 4/16. Blue    |
| 5/17. Green           | 6/18. White   |
| 7/19. Purple          | 8/20. Gray    |
| 9/21. Brown           | 10/22. Orange |
| 11/23. Dark Blue      | 12/24. Khaki  |

UNLESS OTHERWISE SPECIFIED:  
ANGLE: ±0.5°

| LINEAR DIMENSION: |      |
|-------------------|------|
| 0.5-6             | ±0.1 |
| >6-30             | ±0.2 |
| >30-120           | ±0.3 |
| >120-400          | ±0.5 |
| >400-1000         | ±0.8 |
| >1000-2000        | ±1.2 |
| >2000-4000        | ±2   |

MATERIAL: SEE CHART  
FINISH: CLEAN  
DRAWN: Sun KPO 08/22/2017

**CONFIDENTIAL**

**Orbex Group**

TITLE: **SLIP RING**

|                |                             |               |
|----------------|-----------------------------|---------------|
| SIZE: <b>B</b> | PRT. NO.: <b>525-2412-F</b> | REV: <b>2</b> |
| SCALE: NTS     |                             | SHEET 1 OF 1  |