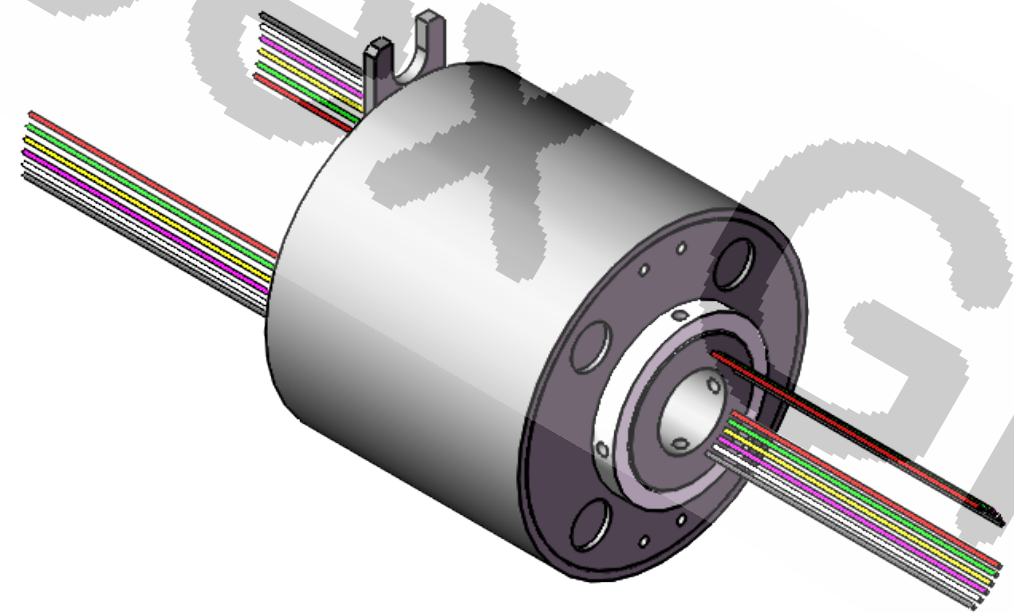
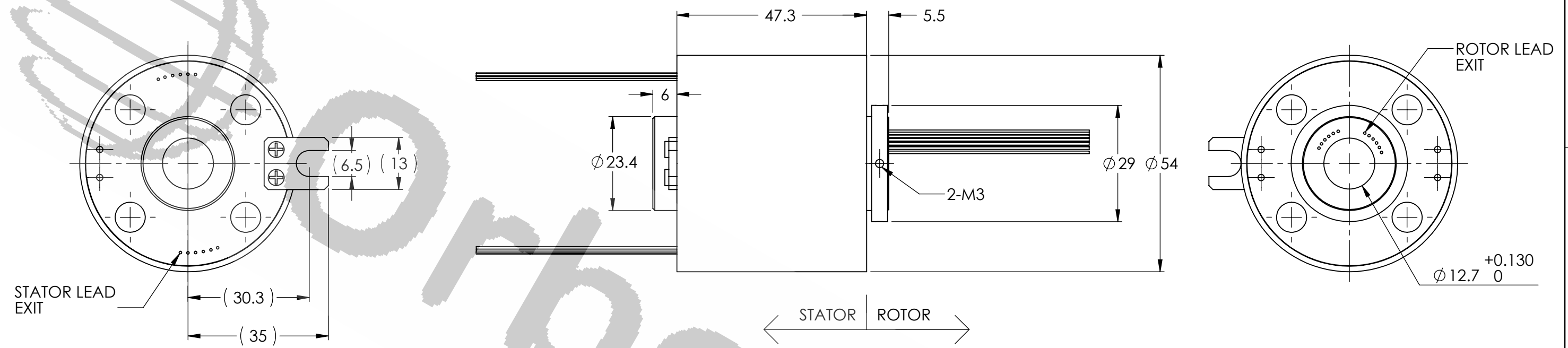


REVISIONS				
ZONE	REV.	DESCRIPTION	DATE	APPROVED
	2	CUSTOMER INFORMATIONAL	08/28/2017	RA



TECHNICAL DATA	
NUMBER OF CIRCUITS	12
RATED VOLTAGE	460 VAC
DIELECTRIC STRENGTH	500VAC @50Hz, 60s
RATED CURRENT	5A
NOMINAL SPEED	250 RPM
INSULATION RESISTANCE	>500 M Ω /500 VDC
DYNAMIC CONTACT RESISTANCE	<10 m Ω
CONTACT MATERIAL SURFACE	PRECIOUS METAL
LEADS	TEFLON AWG22
STANDARD LEAD LENGTH	500mm
TEMPERATURE	-20°C to + 80°C
BEARINGS	STAINLESS STEEL BALL BEARINGS
HOUSING	ENGINEERED PLASTIC
PROTECTION	IP51

WIRE COLOR CODE	
1. RED	2. YELLOW
3. BLACK	4. BLUE
5. GREEN	6. WHITE
7. PURPLE	8. GRAY
9. BROWN	10. ORANGE
11. DARK BLUE	12. KHAKE

Symbol for concentricity and a note: THIS DRAWING CONTAINS PROPRIETARY INFORMATION OF THE ORBEX GROUP AND MAY NOT BE IN WHOLE OR IN PART DUPLICATED OR DISCLOSED OR USED FOR MANUFACTURE OF ANY PART DISCLOSED HEREIN WITHOUT WRITTEN PERMISSION OF THE ORBEX GROUP. **CONFIDENTIAL**

UNLESS OTHERWISE SPECIFIED: ANGLE: $\pm 0.5^\circ$	
LINEAR DIMENSION:	
0.5-6	± 0.1
>6-30	± 0.2
>30-120	± 0.3
>120-400	± 0.5
>400-1000	± 0.8
>1000-2000	± 1.2
>2000-4000	± 2
MATERIAL	SEE CHART
FINISH	CLEAN
DRAWN	Sun KPO 08/28/2017

Orbex Group

TITLE: **SLIP RING**

SIZE: **B** PRT. NO.: **512-1200** REV: **2**

SCALE: 1:1 SHEET 1 OF 1