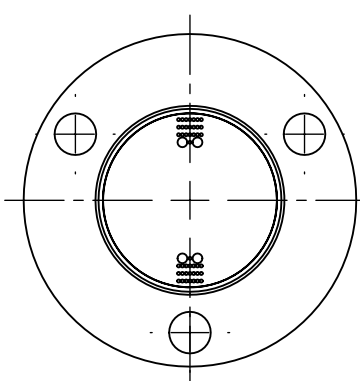
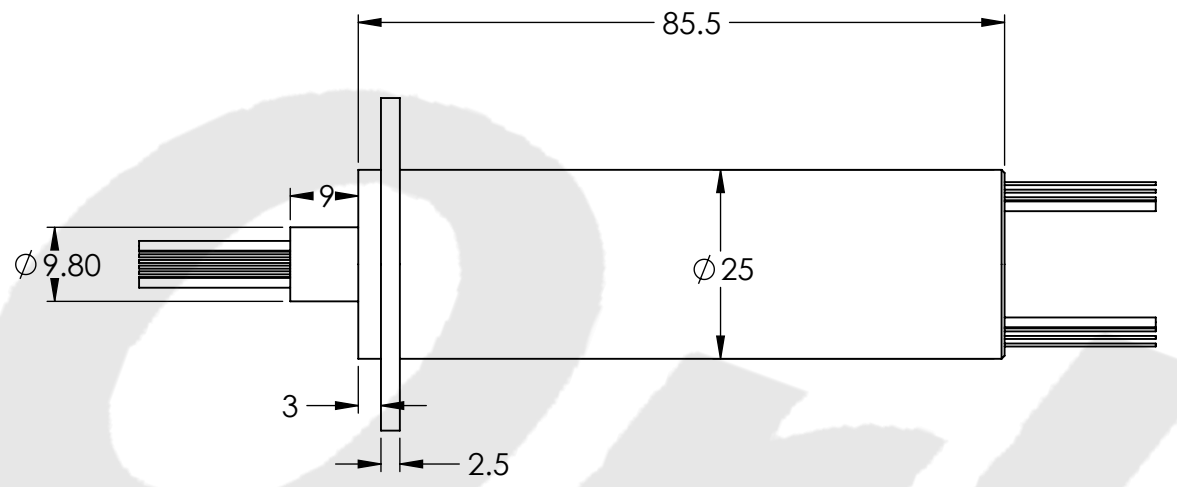
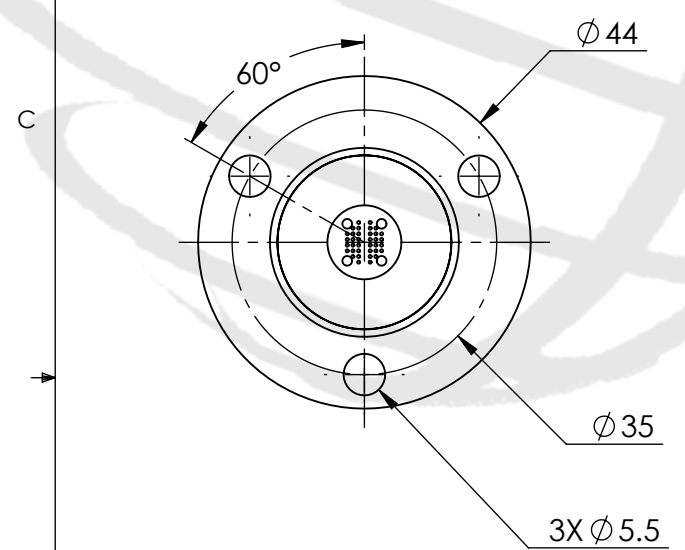


REVISIONS				
ZONE	REV.	DESCRIPTION	DATE	APPROVED
	1	Customer Information	1/1/2014	WRH

1	Stator Exit 1 Blue Shrink Tube																			
Ring No.	1	3	5	7	9	11	13	15	17	19	21	23	25	27	29	31	33	35	<b>37</b>	<b>39</b>
Color Code	RED	GRN	YEL	PUP	GRY	BLK	BLU	DBLU	BRN	ORN	WHT	KHK	WHT-RED	WHT-BLK	WHT-BLU	WHT-PUP	WHT-BRN	WHT-GRN	<b>RED</b>	<b>WHT</b>

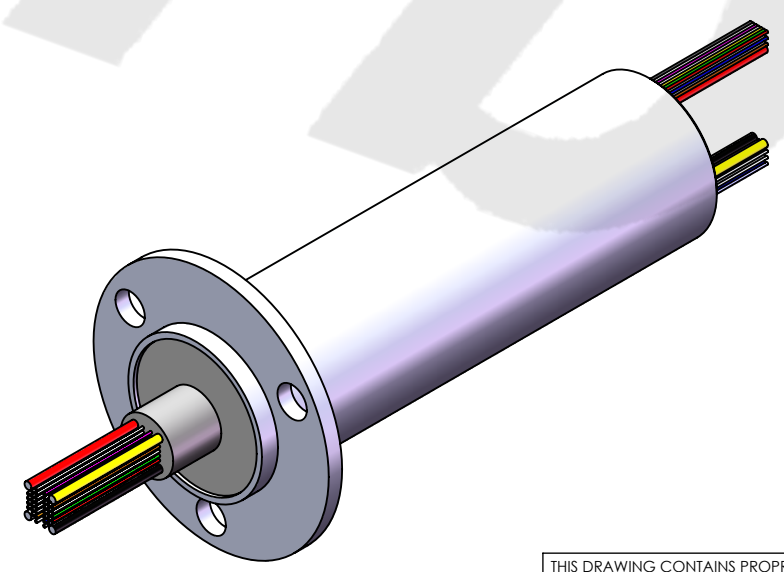
  

2	Stator Exit 2 Blue Shrink Tube																			
Ring No.	2	4	6	8	10	12	14	16	18	20	22	24	26	28	30	32	34	36	<b>38</b>	<b>40</b>
Color Code	RED	GRN	YEL	PUP	GRY	BLK	BLU	DBLU	BRN	ORN	WHT	KHK	WHT-RED	WHT-BLK	WHT-BLU	WHT-PUP	WHT-BRN	WHT-GRN	<b>BLK</b>	<b>YEL</b>



COLUMNS IN **BOLD** INDICATE A POWER CIRCUIT

TECHNICAL DATA	
NUMBER OF CIRCUITS	40 (36@2A, 4@10A)
RATED VOLTAGE	240 VDC/AC
DIELECTRIC STRENGTH	500VAC@50Hz,60s
RATED CURRENT	2A/RING
NOMINAL SPEED	0-300 RPM
INSULATION RESISTANCE	1000 MΩ/500VDC
DYNAMIC CONTACT RESISTANCE	<10 mΩ
CONTACT MATERIAL SURFACE	GOLD-GOLD
LEAD	AWG26 (2A), AWG16(10A), COLOR CODED, PTFE INSULATED, SILVER PLATED
STANDARD LEAD LENGTH	250mm
TEMPERATURE	-20°C to + 80°C
BEARINGS	MINIATURE, PRECISION STEEL BEARINGS
HOUSING	ALUMINUM
PROTECTION	IP51



THIS DRAWING CONTAINS PROPRIETARY INFORMATION OF THE ORBEX GROUP AND MAY NOT BE IN WHOLE OR IN PART DUPLICATED OR DISCLOSED OR USED FOR MANUFACTURE OF ANY PART DISCLOSED HEREIN WITHOUT WRITTEN PERMISSION OF THE ORBEX GROUP.  
**CONFIDENTIAL**

UNLESS OTHERWISE SPECIFIED: DRAWING SYMBOLS & TOLERANCES PER ANSI Y14.5 DIMENSIONS ARE METRIC TOLERANCES: DECIMALS    LINEAR    ANGULAR .X            ±0.2            ±0.5DEG .XX          ±0.02          ±0.2DEG .XXX        ±0.005        ±0.01DEG		<b>Orbex Group</b>	
INTERPRET GEOMETRIC TOLERANCING PER: ANSI Y14.5		TITLE: <b>Slip Ring</b>	
MATERIAL <b>SEE CHART</b>	SIZE <b>B</b>	PRT. NO. <b>325M1-3604B</b>	REV <b>1</b>
FINISH <b>CLEAN</b>	DRAWN MRJ 3/28/2014	SCALE: 1:1	SHEET 1 OF 1