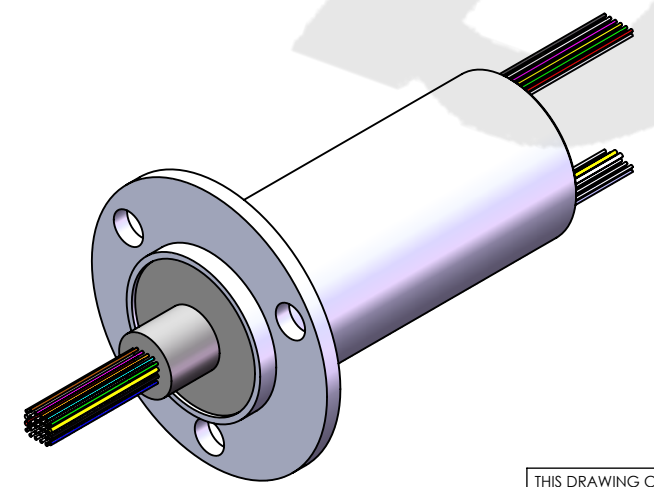
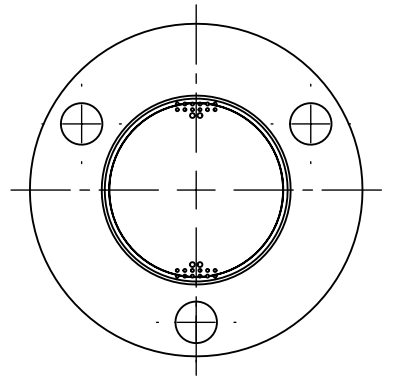
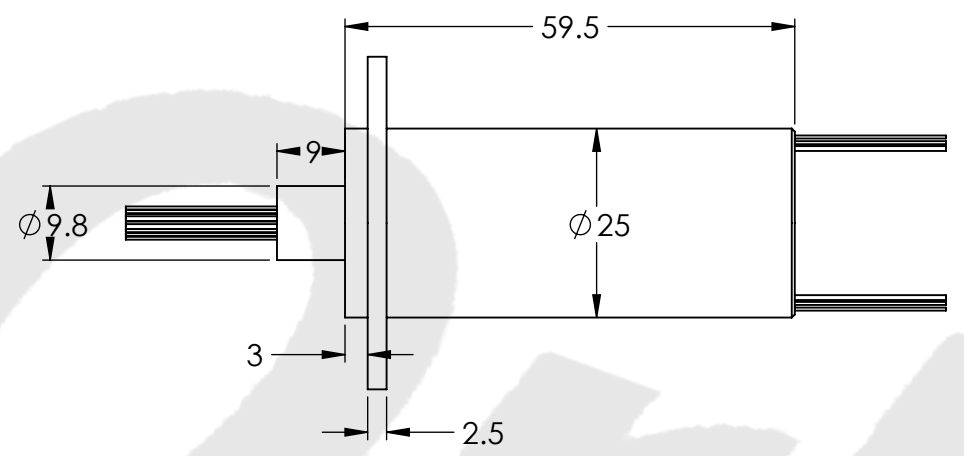
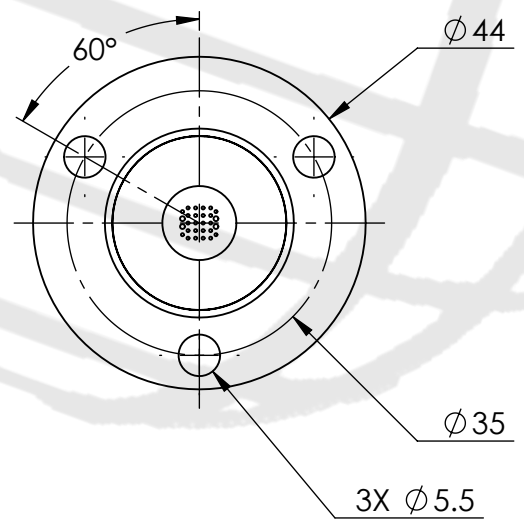


1	Stator Exit 1 Blue Shrink tube													
Ring No.	1	3	5	7	9	11	13	15	17	19	21	23	25	27
Color Code	RED	YEL	GRY	BLU	BRN	WHT	WHT-RED	WHT-BLU	WHT-BRN	WHT-ORN	WHT-GRY	BLK-BLU	RED	WHT
2	Stator Exit 2 Blue Shrink tube													
Ring No.	2	4	6	8	10	12	14	16	18	20	22	24	26	28
Color Code	GRN	PUP	BLK	DBLU	ORN	KHK	WHT-BLK	WHT-PUP	WHT-GRN	WHT-YEL	BLK-RED	YEL-GRN	BLK	YEL

REVISIONS				
ZONE	REV.	DESCRIPTION	DATE	APPROVED
	1	Customer Information	1/1/2014	WRH

COLUMNS IN **BOLD** INDICATE A POWER CIRCUIT



TECHNICAL DATA	
NUMBER OF CIRCUITS	28 (24 CIRCUITS @2A, 4 CIRCUITS @6A)
RATED VOLTAGE	240 VDC/AC
DIELECTRIC STRENGTH	500VAC@50Hz, 60s
RATED CURRENT	2A/RING (SIGNAL), 6A/RING (POWER)
NOMINAL SPEED	0-300 RPM
INSULATION RESISTANCE	1000 MΩ/500VDC
DYNAMIC CONTACT RESISTANCE	<10 mΩ
CONTACT MATERIAL SURFACE	GOLD-GOLD
LEAD	AWG26 for 2A, AWG22 for 6A, COLOR CODED, PTFE INSULATED, SILVER PLATED
STANDARD LEAD LENGTH	250mm
TEMPERATURE	-20°C to + 80°C standard
BEARINGS	MINIATURE, PRECISION STEEL BEARINGS
HOUSING	ALUMINUM
PROTECTION	IP51

THIS DRAWING CONTAINS PROPRIETARY INFORMATION OF THE ORBEX GROUP AND MAY NOT BE IN WHOLE OR IN PART DUPLICATED OR DISCLOSED OR USED FOR MANUFACTURE OF ANY PART DISCLOSED HEREIN WITHOUT WRITTEN PERMISSION OF THE ORBEX GROUP.
CONFIDENTIAL

UNLESS OTHERWISE SPECIFIED: DRAWING SYMBOLS & TOLERANCES PER ANSI Y14.5 DIMENSIONS ARE METRIC TOLERANCES: DECIMALS LINEAR ANGULAR .X ±0.2 ±0.5DEG .XX ±0.02 ±0.2DEG .XXX ±0.005 ±0.01DEG		Orbex Group	
INTERPRET GEOMETRIC TOLERANCING PER: ANSI Y14.5		TITLE: Slip Ring	
MATERIAL SEE CHART	SIZE B	PRT. NO. 325M1-2404A	REV 1
FINISH CLEAN	DRAWN MRJ 3/28/2014	SCALE: 1:1	SHEET 1 OF 1