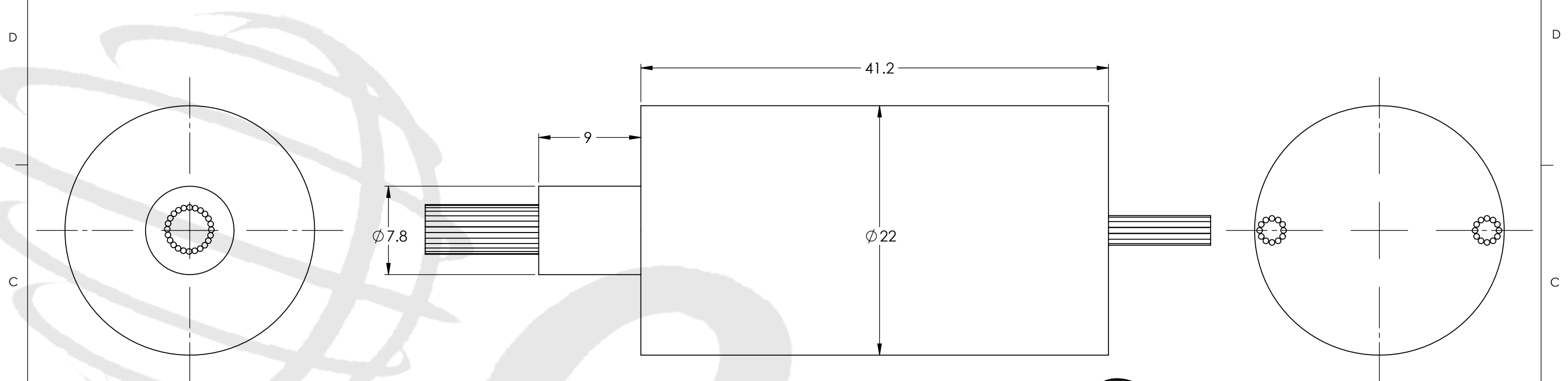


REVISIONS				
ZONE	REV.	DESCRIPTION	DATE	APPROVED
	1	Customer Information	1/1/2014	WRH



TECHNICAL DATA	
NUMBER OF CIRCUITS	24
RATED VOLTAGE	240 VDC/AC
DIELECTRIC STRENGTH	500VAC@50Hz
RATED CURRENT	2A/RING
NOMINAL SPEED	0-300 RPM
INSULATION RESISTANCE	1000 M $\Omega$ /500VDC
DYNAMIC CONTACT RESISTANCE	<10 m $\Omega$
CONTACT MATERIAL SURFACE	GOLD-GOLD
LEAD	26 AWG, COLOR CODE, SILVER PLATED, PTFE INSULATED LEAD WIRES
STANDARD LEAD LENGTH	250mm
TEMPERATURE	-20°C to + 80°C
BEARINGS	MINIATURE, PRECISION STEEL BEARINGS
HOUSING	ABS PLASTIC
PROTECTION	IP51

WIRE COLOR CODE	
1. RED	2. GREEN
3. YELLOW	4. PURPLE
5. GRAY	6. BLACK
7. BLUE	8. DARK BLUE
9. BROWN	10. ORANGE
11. WHITE	12. KHAKI
13. WHITE-RED	14. WHITE-BLACK
15. WHITE-BLUE	16. WHT-PUP
17. WHT-BRN	18. WHT-GRN
19. WHITE-YELLOW	20. WHITE-GRAY
21. BLACK-RED	22. BLACK-BLUE
23. YELLOW-BLUE	24. BLACK

THIS DRAWING CONTAINS PROPRIETARY INFORMATION OF THE ORBEX GROUP AND MAY NOT BE IN WHOLE OR IN PART DUPLICATED OR DISCLOSED OR USED FOR MANUFACTURE OF ANY PART DISCLOSED HEREIN WITHOUT WRITTEN PERMISSION OF THE ORBEX GROUP.

**CONFIDENTIAL**

UNLESS OTHERWISE SPECIFIED:		<b>Orbex Group</b>	
DRAWING SYMBOLS & TOLERANCES PER ANSI Y14.5 DIMENSIONS ARE METRIC TOLERANCES:		TITLE: <b>Slip Ring</b>	
DECIMALS	LINEAR	ANGULAR	
.X	$\pm 0.2$	$\pm 0.5$ DEG	
.XX	$\pm 0.02$	$\pm 0.2$ DEG	
.XXX	$\pm 0.005$	$\pm 0.01$ DEG	
INTERPRET GEOMETRIC TOLERANCING PER: ANSI Y14.5		SIZE	PRT. NO.
MATERIAL	SEE CHART	<b>B</b>	<b>322M3-2400</b>
FINISH	CLEAN		REV
			<b>1</b>
DRAWN	MRJ 12/18/2013	SCALE: 3:1	SHEET 1 OF 1