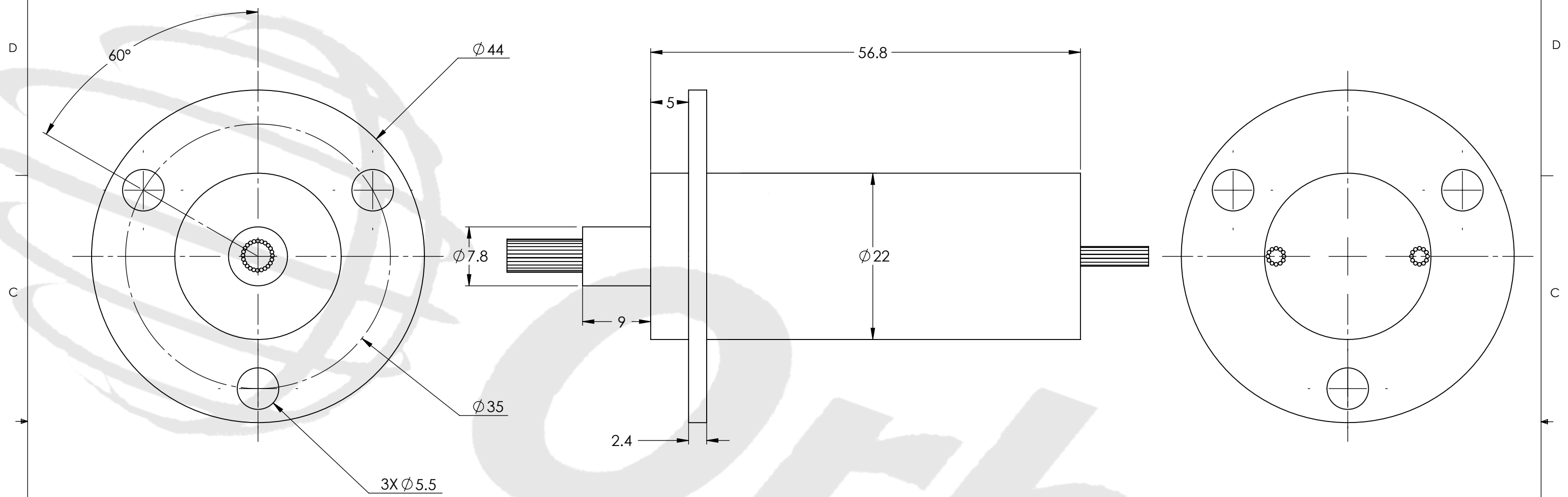


REVISIONS				
ZONE	REV.	DESCRIPTION	DATE	APPROVED
	1	Customer Information	1/1/2014	WRH



TECHNICAL DATA	
NUMBER OF CIRCUITS	36
RATED VOLTAGE	240 VDC/AC
DIELECTRIC ENERGY	500VAC@50Hz
RATED CURRENT	2A/RING
OPERATING SPEED	0-300 RPM
HIGH POT	500VAC/50Hz
INSULATION RESISTANCE	500MOHM/500VDC
CONTACT MATERIAL SURFACE	GOLD-GOLD
LEAD	26 AWG, COLOR CODE, SILVER PLATED, PTFE INSULATED LEAD WIRES
STANDARD LEAD LENGTH	250 mm
OPERATING TEMPERATURE	-20°C + 80°C
BEARINGS	STEEL BEARINGS
HOUSING	ABS PLASTIC
SEALING	IP51

WIRE COLOR CODE	
1/2. RED	3/4. GREEN
5/6. YELLOW	7/8. PURPLE
9/10. GRAY	11/12. BLACK
13/14. BLUE	15/16. DARK BLUE
17/18. BROWN	19/20. ORANGE
21/22. WHITE	23/24. KHAKI
25/26. WHT-RED	27/28. WHT-BLK
29/30. WHT-BLU	31/32. WHT-PURP
33/34. WHT-BRN	35/36. WHT-GRN

THIS DRAWING CONTAINS PROPRIETARY INFORMATION OF THE ORBEX GROUP AND MAY NOT BE IN WHOLE OR IN PART DUPLICATED OR DISCLOSED OR USED FOR MANUFACTURE OF ANY PART DISCLOSED HEREIN WITHOUT WRITTEN PERMISSION OF THE ORBEX GROUP.

CONFIDENTIAL

UNLESS OTHERWISE SPECIFIED:		
DRAWING SYMBOLS & TOLERANCES PER ANSI Y14.5		
DIMENSIONS ARE METRIC		
TOLERANCES:		
DECIMALS	LINEAR	ANGULAR
.X	±0.2	±0.5DEG
.XX	±0.02	±0.2DEG
.XXX	±0.005	±0.01DEG
INTERPRET GEOMETRIC TOLERANCING PER: ANSI Y14.5		
MATERIAL	SEE CHART	
FINISH	CLEAN	
DRAWN	MRJ	3/31/2014

Orbex Group

TITLE: **Slip Ring**

SIZE	PRT. NO.	REV
B	322M1-3600	1

SCALE: 1:1 | SHEET 1 OF 1